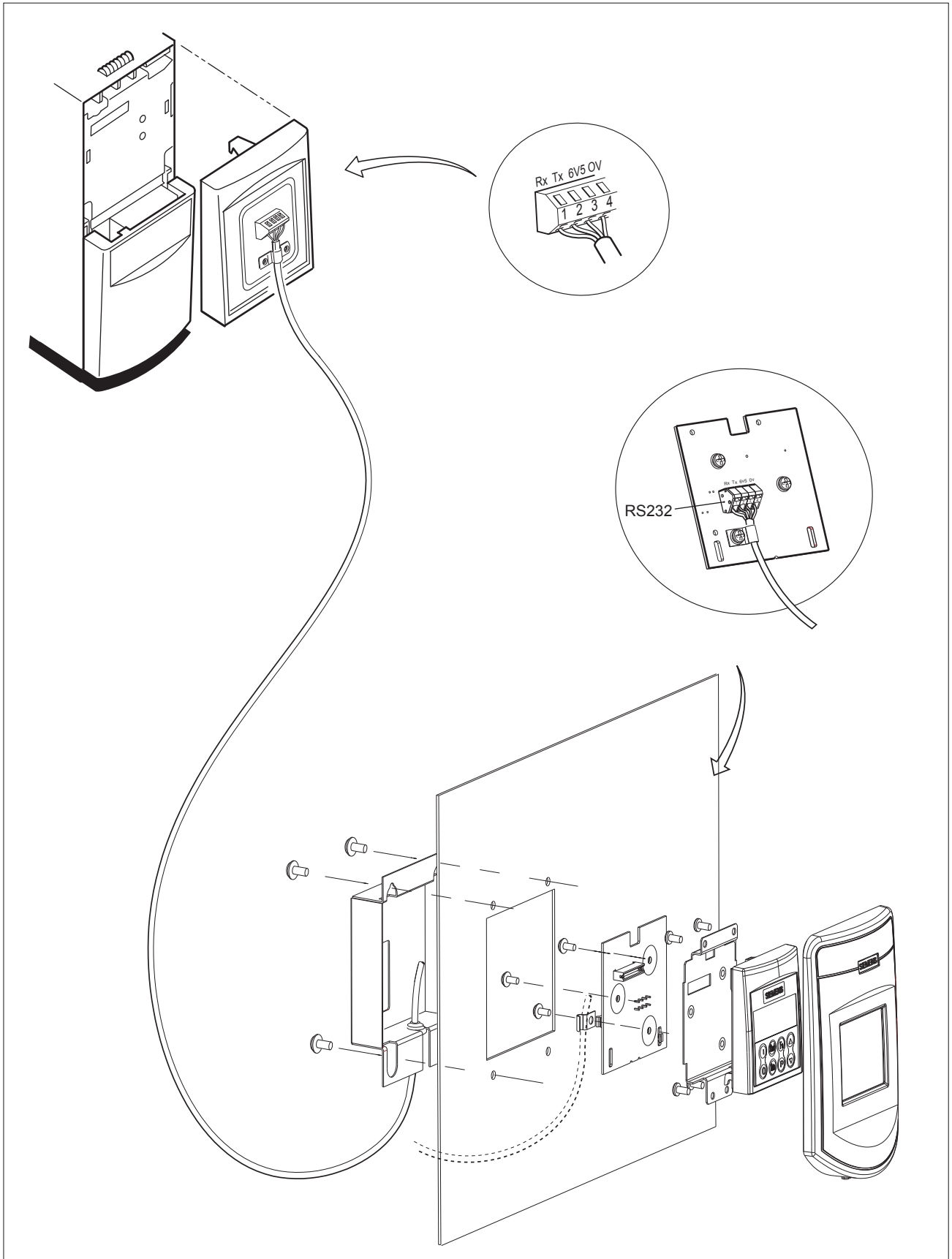


BOP/AOP Single Drive Mounting Kit



Drawing Number:	G85139-K1792-U520-A1
Order Number:	6SE6400-5KB00-1AP0

SIEMENS

