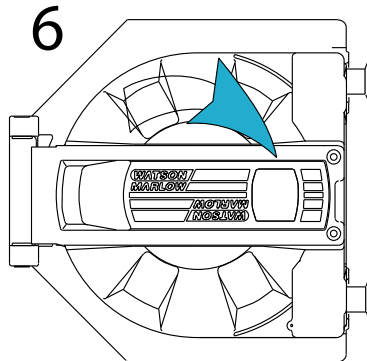
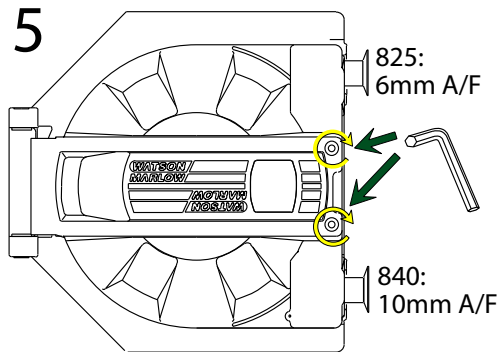
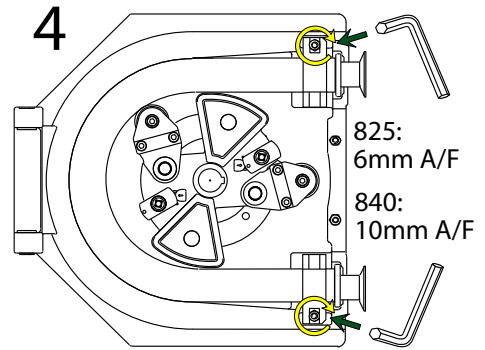
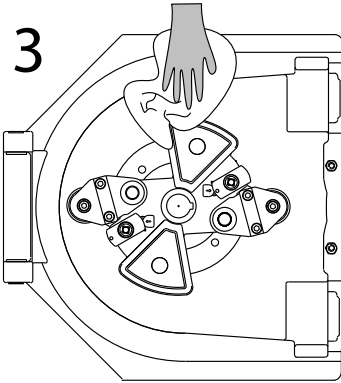
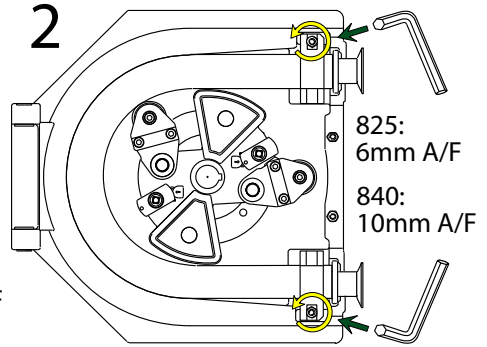
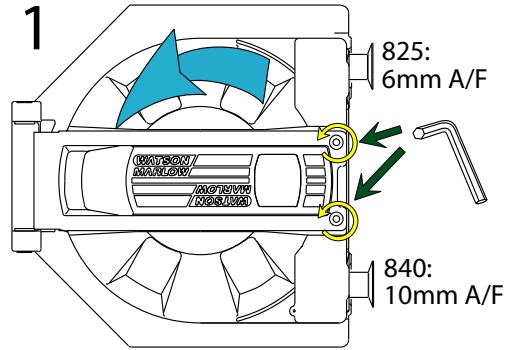
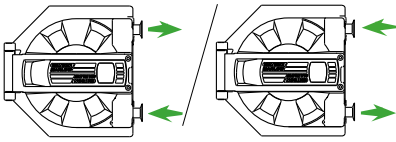


Factory set for CW pumping
Reverse one revolution for
CIP and tube loading

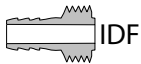
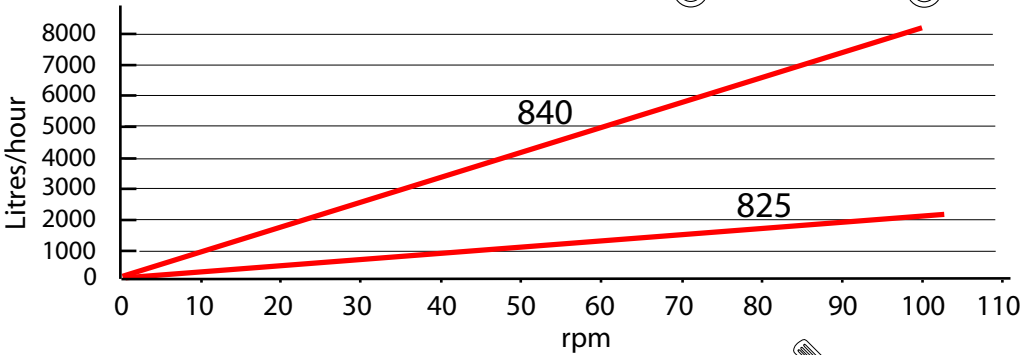
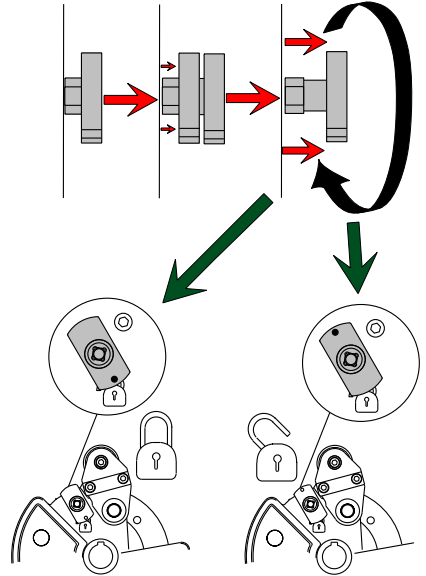
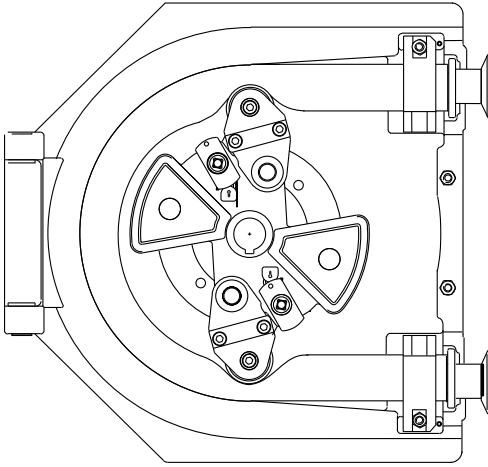


**WATSON
MARLOW** 800 Series

PB 0190 Issue 4



Lock rollers for bi-directional pumping
 Unlock rollers for CIP and tube loading



Continuous

