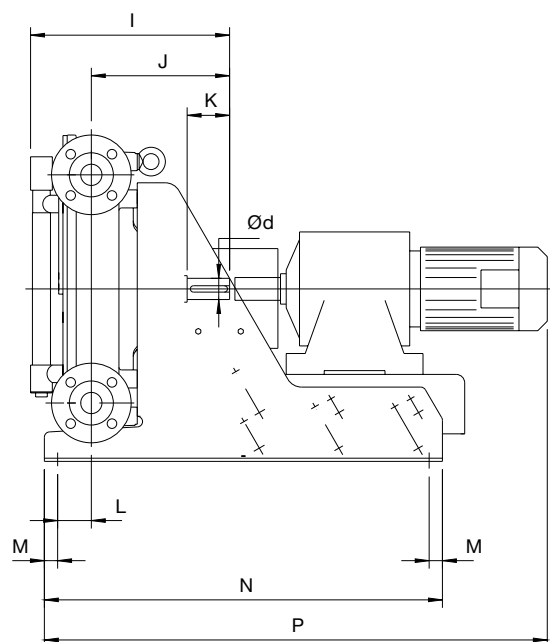
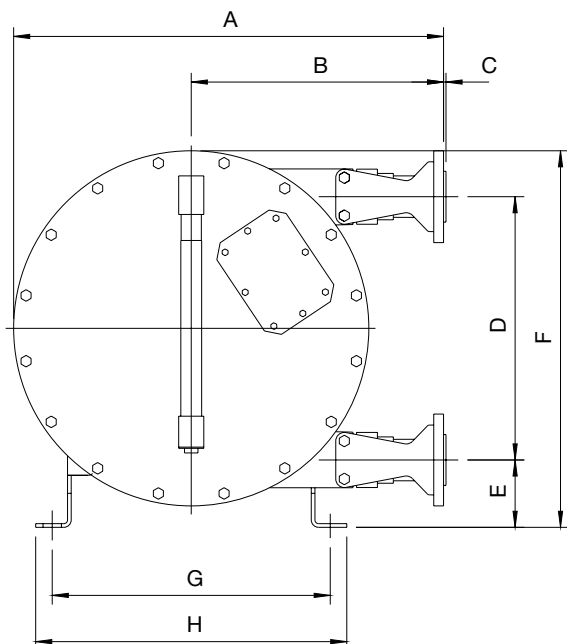
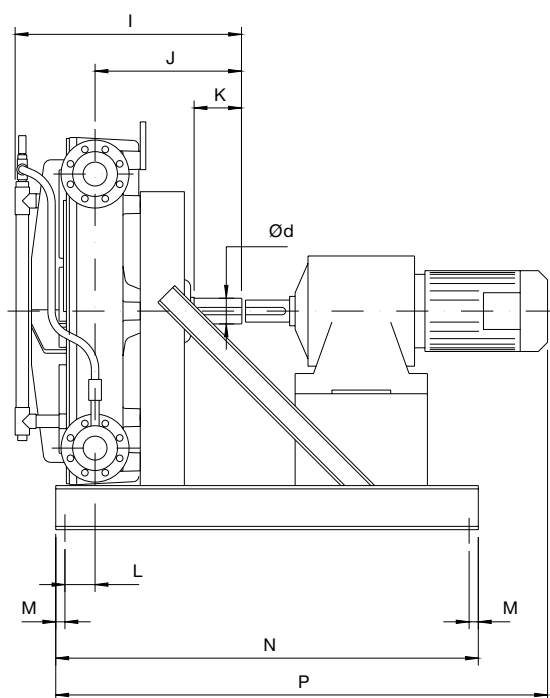
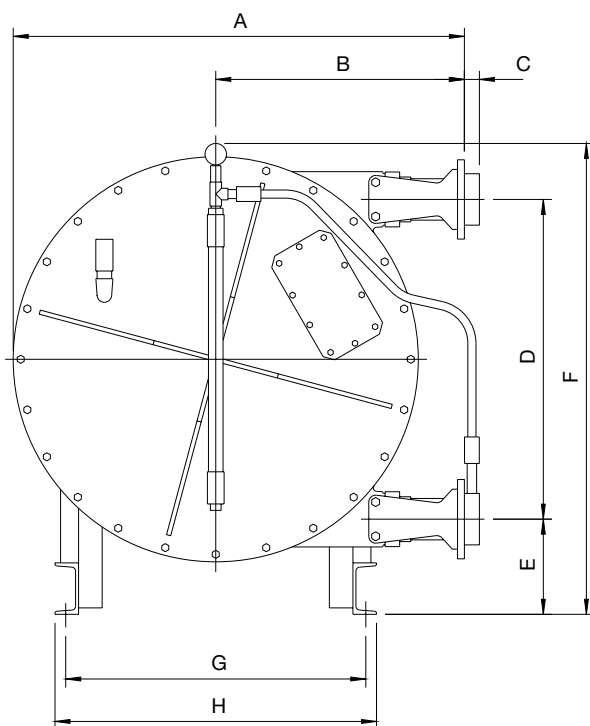


Type	A	B	C	D	E	F	G	H	I	L	M1	M2	N	P
SPX40	702	412	2,5	430	110	630	490	538	73	84	120	30	450	*
SPX50	835	475	3	554	143	808	620	680	82	95	155	40	575	*
SPX65	1055	580	3	746	152	1030	680	740	103	137	185	50	650	*
SPX80	1253	700	4	876	182	1211	900	990	123	153	275	50	850	*
SPX100	1468	815	4	1042	199	1402	1050	1140	150	173	310	50	900	*

* Contact your representative



Type	A	B	C	D	E	F	G	H	I	J	K	L	M	N	d	P
SP25	490	304	2,5	264	98	416	322	336	285	192	60	51	25	600	30k6	*
SP32	613	375	2,5	330	105	508	374	418	365	263	80	61	25	750	40k6	*
SP40	702	412	2,5	430	110	615	454	508	365	260	80	64	25	750	40k6	*
SP50	835	475	3	554	123	760	444	496	440	325	100	78	25	920	50k6	*



Type	A	B	C	D	E	F	G	H	I	J	K	L	M	N	d	P
SP65	1053	580	35	746	153	1013	580	680	630	400	130	82	25	1150	70m6	*
SP80	1253	700	35	876	262	1253	820	875	705	440	150	83	50	1250	80m6	*
SP100	1463	815	35	1042	299	1468	970	1035	880	472	200	100	50	1575	100m6	*

* Contact your representative

The information contained in this document is believed to be correct but Bredel Hose Pumps B.V. accepts no liability for any errors it contains, and reserves the right to alter specifications without notice.

SPX and Bredel are registered trademarks. Bredel: worldwide supplier of industrial high pressure hose pumps.